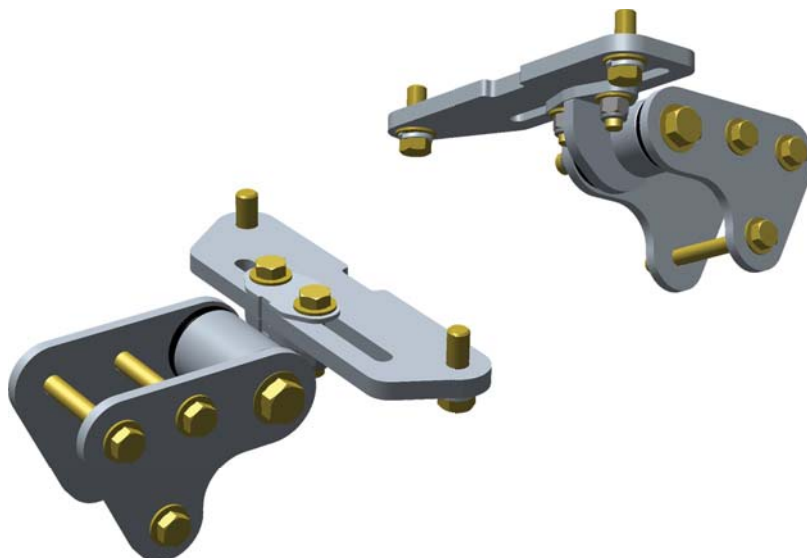


READ ALL INSTRUCTIONS COMPLETELY AND THOROUGHLY UNDERSTAND THEM BEFORE DOING ANYTHING.
CALL TOTAL CONTROL PRODUCTS TECH SUPPORT (916) 388-0288 IF YOU NEED ASSISTANCE.

INSTALLATION GUIDE



TCP MM-FD-04 Poly-Bushed Steel Motor Mounts Small Block Ford, Adjustable (260, 289, 302, 351W)



Description: Poly-bushed steel motor mounts for OEM shock tower. Includes poly bushings and Grade 8 mounting hardware.

Applications: Mustang '64-70, Cougar '67-70

PARTS LIST

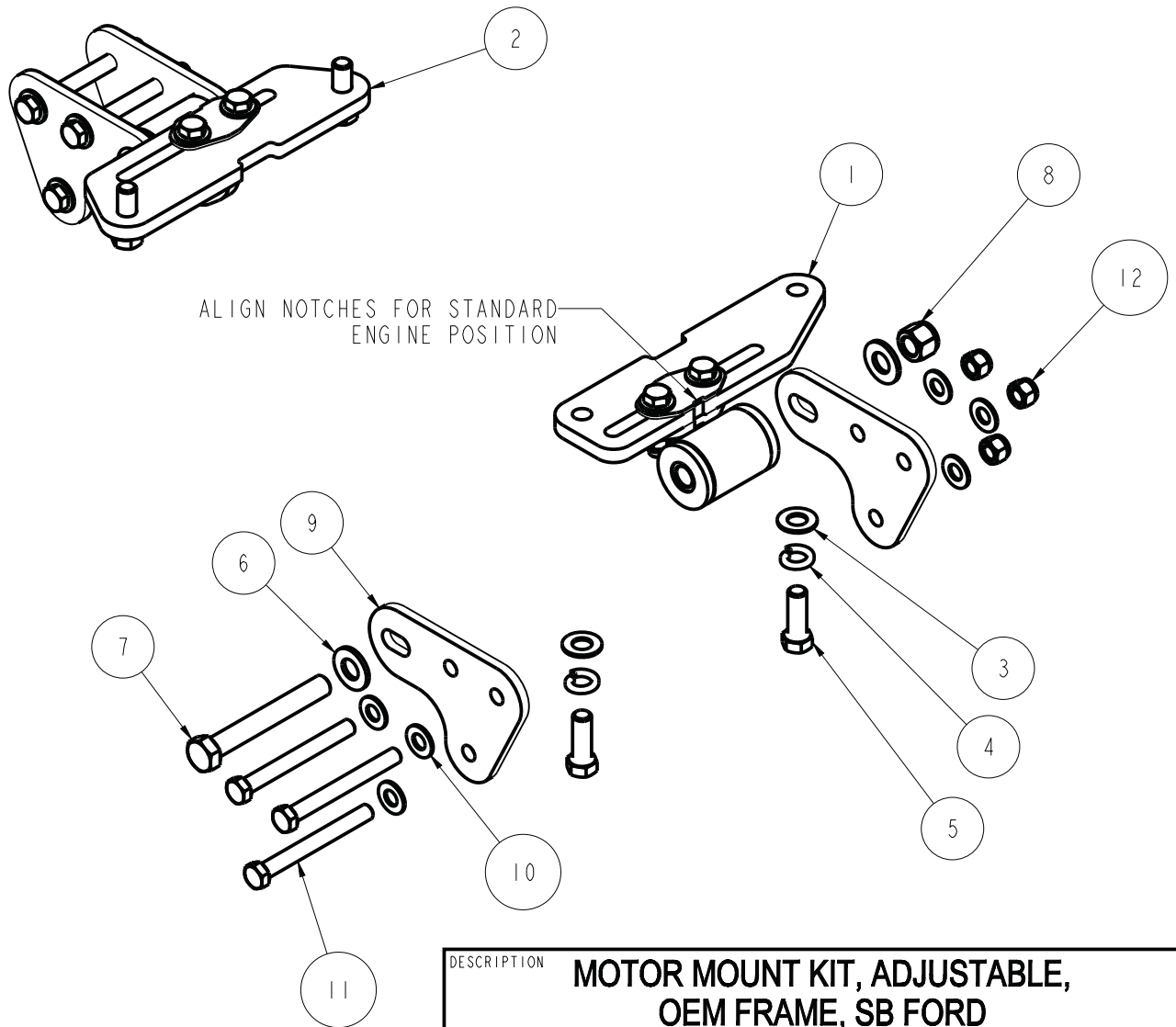
TCP MM-FD-04 - Small-Block-Ford Adjustable Steel Motor Mounts

Qty	Part Number	Description
6	3100-038C3.50Y	Bolt, 3/8-16 x 3-1/2" hex head cap screw, yellow zinc
4	3100-044C1.25Y	Bolt, 7/16-14 x 1-1/4" hex head cap screw, yellow zinc
2	3100-050C3.75Y	Bolt, 7/16-14 x 3-3/4" hex head cap screw, yellow zinc
6	3101-038-16C	Locknut, 3/8-16 nylon insert, clear zinc
2	3101-050-13C	Locknut, 1/2-13 nylon insert, clear zinc
4	3108-044L-C	Lock washer, 7/16" regular, clear zinc
4	3120-050S-Y	Washer, 1/2" flat SAE hardened, yellow zinc
12	3157-038S-C	Washer, 3/8" flat SAE, clear zinc
4	3157-044S-C	Washer, 7/16" flat SAE, clear zinc
4	7901-002	Frame adapter brackets
1	7901-058	Motor mount assembly, driver side
1	7901-059	Motor mount assembly, passenger side

TORQUE SPECS

Torque	Bolt Size	Location
40 ft-lbs	3/8-16	Motor-mount adjustment hardware
50 ft-lbs	7/16"-14	Mount to engine block
75 ft-lbs	1/2"-13	Motor-mount through bolt

ITEM	QTY	PART NO.	DESCRIPTION
1	1	7901-058	MOTOR MOUNT ASSEMBLY, DRIVER, ADJUSTABLE MOTOR MOUNT, SB FORD
2	1	7901-059	MOTOR MOUNT ASSEMBLY, PSGR, ADJUSTABLE MOTOR MOUNT, SB FORD
3	4	3157-044S-C	WASHER, 7/16 SAE, ZINC PLATED, 7/16 ID x 1 1/8 OD x 1/16 THICK
4	4	3108-044L-C	LOCK WASHER, HELICAL SPRING \varnothing 7/16, STEEL, ZINC
5	4	3100-044C1.25Y	HEX BOLT, 7/16-14 x 1 1/4, GRADE 8, YELLOW ZINC
6	4	3120-050S-Y	FLAT WASHER, 1/2 SAE, HARDENED, YELLOW ZINC
7	2	3100-050C3.75Y	HEX BOLT, 1/2-13 x 3 3/4, GRADE 8, YELLOW ZINC
8	2	3101-050-13C	LOCKNUT 1/2-13, GRADE 5, NYLON INSERT, CLEAR ZINC
9	4	7901-002	MOTOR MOUNT FRAME ADAPTER 65-70 MUSTANG
10	12	3157-038S-C	WASHER, 3/8 SAE, ZINC PLATED, 13/32 ID x 13/16 OD x 1/16 THICK,
11	6	3100-038C3.50Y	HEX BOLT, 3/8-16 x 3 1/2, GRADE 8, YELLOW ZINC
12	6	3101-038-16C	LOCKNUT 3/8-16, GRADE 5, NYLON INSERT, CLEAR ZINC



DESCRIPTION		MOTOR MOUNT KIT, ADJUSTABLE, OEM FRAME, SB FORD	
<i>Chris Aston's</i> CHASSISWORKS INC. 8661 YOUNGER CREEK DRIVE SACRAMENTO, CA 95828 (916) 388-0288 FAX 388-0295		PART NO. TCP MM-FD-04	
		8/7/15	DWG: 7903-MM-FD-04

WARRANTY NOTICE:

There are NO WARRANTIES, either expressed or implied. Neither the seller nor manufacturer will be liable for any loss, damage or injury, direct or indirect, arising from the use or inability to determine the appropriate use of any products. Before any attempt at installation, all drawings and/or instruction sheets should be completely reviewed to determine the suitability of the product for its intended use. In this connection, the user assumes all responsibility and risk. We reserve the right to change specification without notice. Further, Chris Alston's Chassisworks, Inc., makes **NO GUARANTEE** in reference to any specific class legality of any component. **ALL PRODUCTS ARE INTENDED FOR RACING AND OFF-ROAD USE AND MAY NOT BE LEGALLY USED ON THE HIGHWAY.** The products offered for sale are true race-car components and, in all cases, require some fabrication skill. **NO PRODUCT OR SERVICE IS DESIGNED OR INTENDED TO PREVENT INJURY OR DEATH.**

Total Control Products
A Chris Alston's Chassisworks, Inc. Brand
8661 Younger Creek Drive
Sacramento, CA 95828
Phone: 916-388-0288
Technical Support: tcptech@cachassisworks.com

